

# VIZION Node (Conduit)

20mm fixing hole Node (Conduit)

## Wireless street lighting control

The Vizion® Node (Conduit) is designed for street lighting columns with 20mm wired connection.

Connect to either new street lighting systems, or retrofit to existing for wireless radio control, powered directly from the mains. Suitable for use with the Lucy Zodion Vizion® CMS, the Vizion® Node (Conduit) is available in HARLiCS/MoRLiCS compatible options for use with highway (HE) lighting networks.

## Main Powered

The Vizion® Node (Conduit) is powered directly from the mains to monitor and control any 0-10V or 1-10V Analogue controlled driver, via a 20mm conduit mounting.



## Benefits

The Vizion® Node (Conduit) provides wireless radio control for street lighting luminaires. Can be internally or externally mounted via a 20mm fixing hole. Easy to install, with an onboard light sensor for photocell override. Suitable for Highways.

## Better Control

Communicating 868 or 915MHz radio frequency, each Node (Conduit) can be controlled and monitored remotely, with ease, once installed and commissioned.

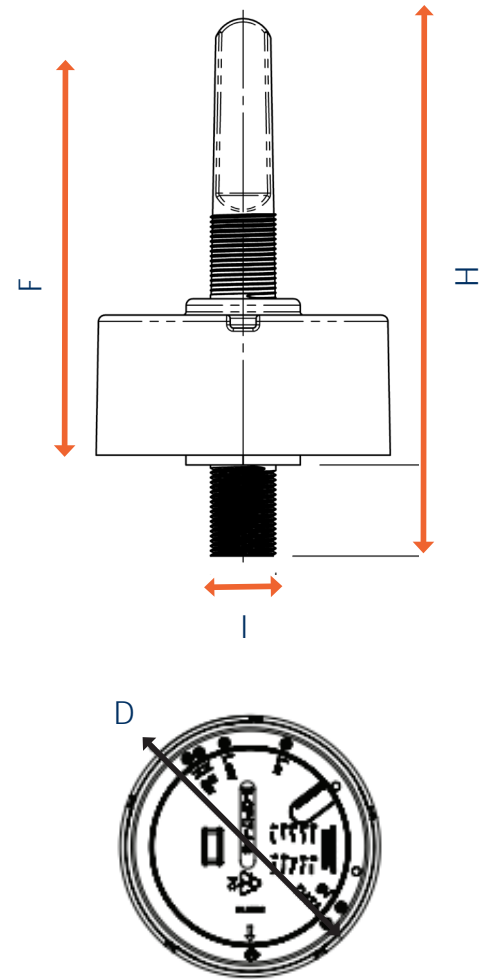
The unit has an internal light sensor for photocell control as by default, while offering abundant features that enable the control of lighting schemes.

## Node (Conduit)

20mm fixing hole Node (Conduit)

### Specification

Luminaire Thickness (Max)	6mm
Environmental Protection	IP66
Housing Material	Polycarbonate
Power Supply Requirements	220-250Vac 50/60Hz 10mA
Switched Output rating	4.5-4A @220 -250Vac
Switched Power (Max)	High Power 20 - 1000kW / 5 - 250w Low Power
Switched Load Type	LED
Dimming	0-10v or 1-10v Analogue
Operating Temperature	-40°C to 70°C
Torque	1.5 to 1.8Nm
Internal Light Sensor	Yes (back up only)
Weight	194g
HARLICS/MoRLICS	Yes



Part No	Product Name	RF (MHz)	Regions	Fitting	Power (W)
F6732	Vizion Node Conduit M20 915 20-1000W	915	Aus/NZ	M20 Internal or External	20-1000
F6733	Vizion Node Conduit M20 915 M20 5-250W	915	Aus/NZ	M20 Internal or External	5-250
F6736	Vizion Node Conduit M20 868 20-1000W	868	UK/EU	M20 Internal or External	20-1000
F6737	Vizion Node Conduit M20 868 5-250W	868	UK/EU	M20 Internal or External	5-250

### Dimensions

Height (H)	168mm
Diameter (D)	Ø89.9mm
Height Fitted (F)	140mm or 83.85mm
Installation Part (I)	28mm